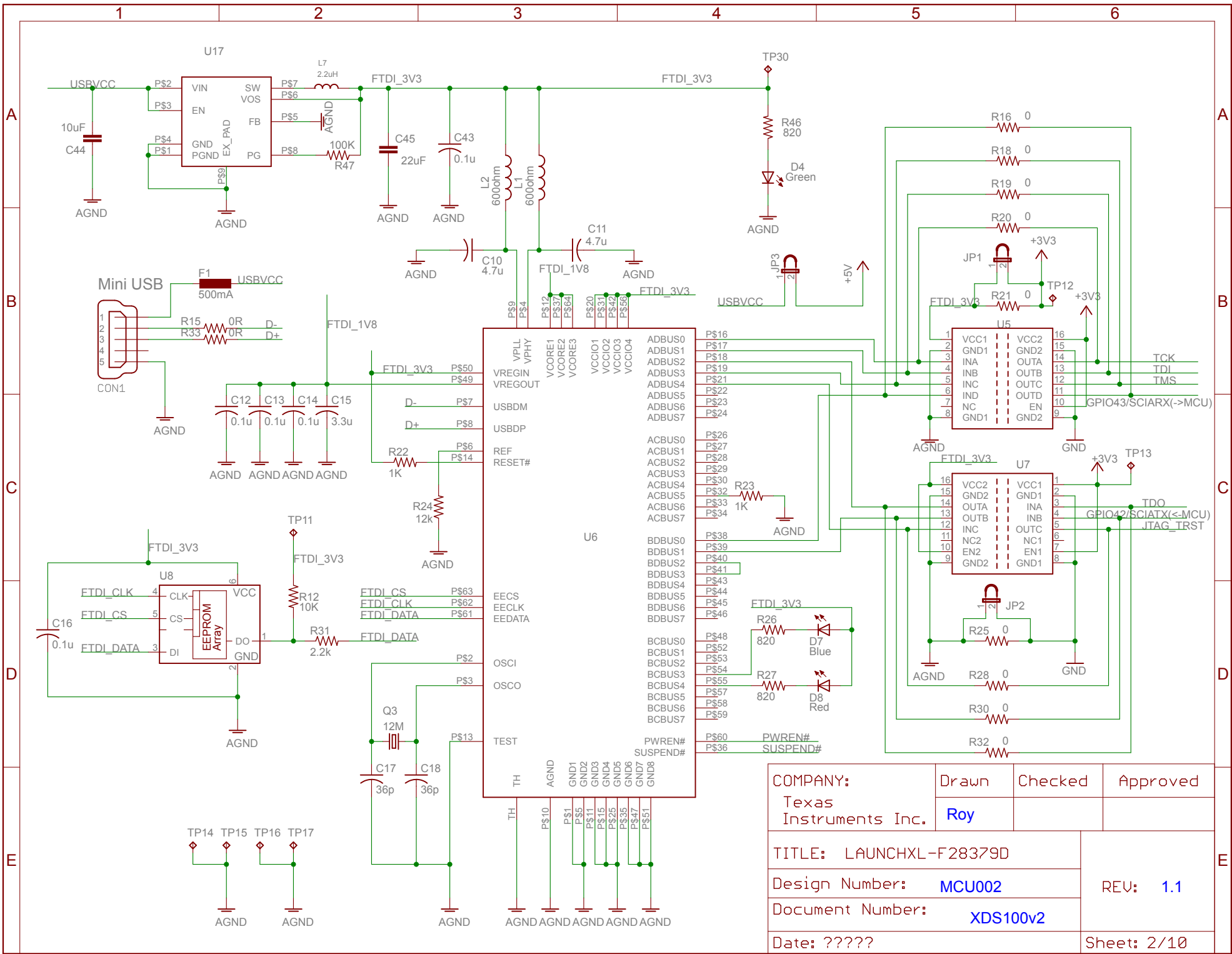


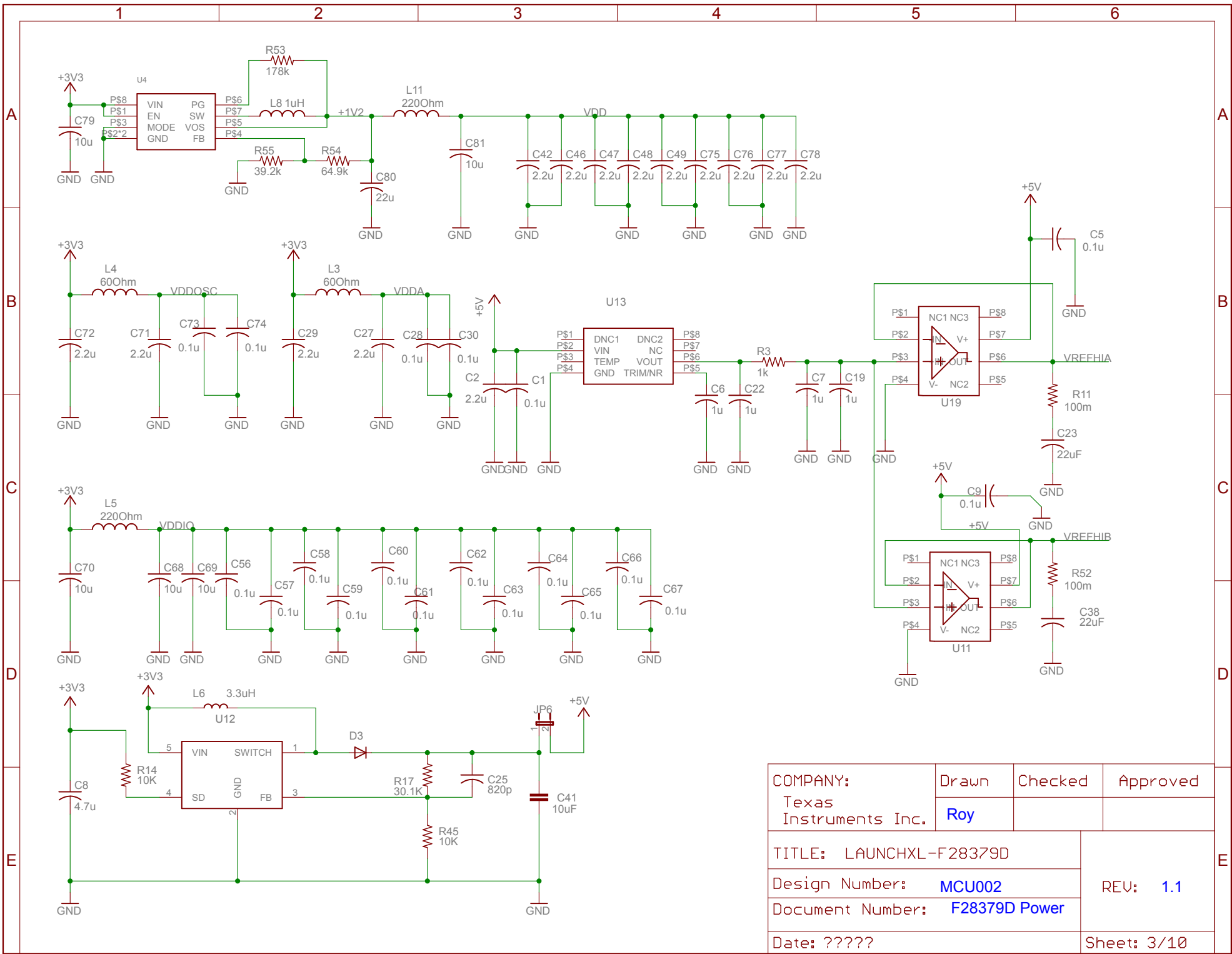
Note: DNP = Do Not Populate

REV	DATA	NOTE
REV1.0	20151210	ORIGINAL RELEASED
REV1.1	20160415	-Changed value for R11/R52 from 560m to 100m. -Swap pin connection for J3&J7 -Replace U19&U11 with OPA350 -Changed value for R38/R39 from 330R to 820R.
	20160728	-Modified information of the Title

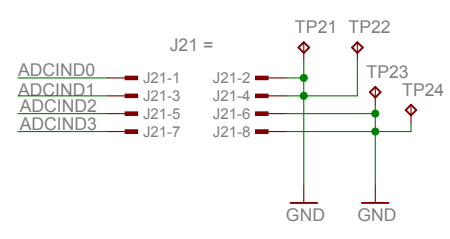
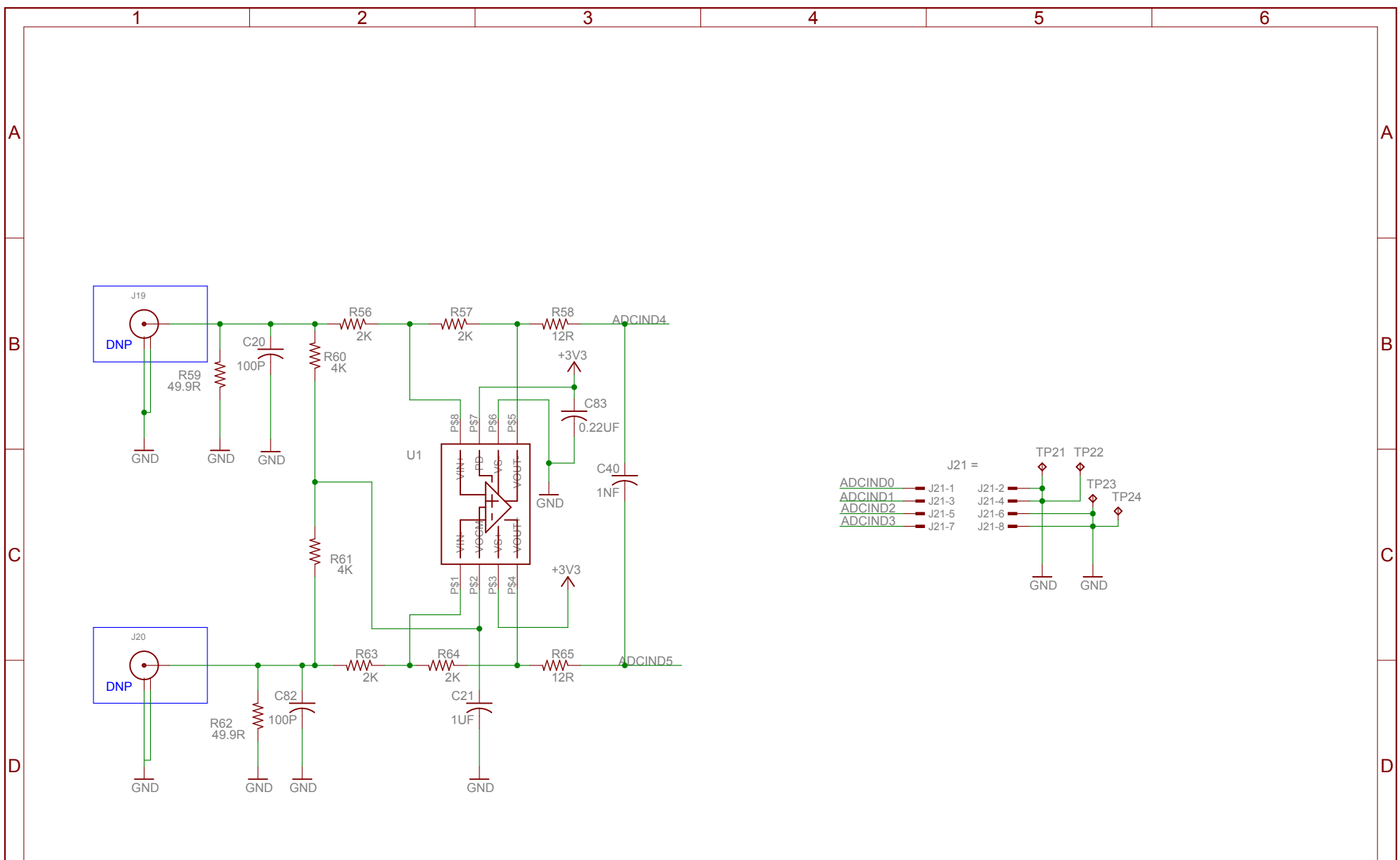
COMPANY:	Drawn	Checked	Approved
Texas Instruments Inc.	Roy		
TITLE: LAUNCHXL-F28379D			REV: 1.1
Design Number: MCU002			
Document Number: BLOCK DIAGRAM			
Date: ?????			Sheet: 1/10



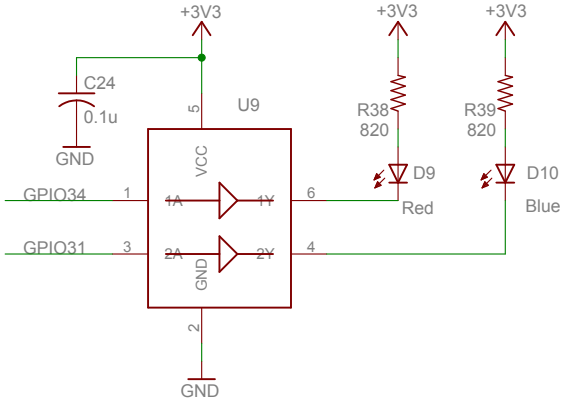
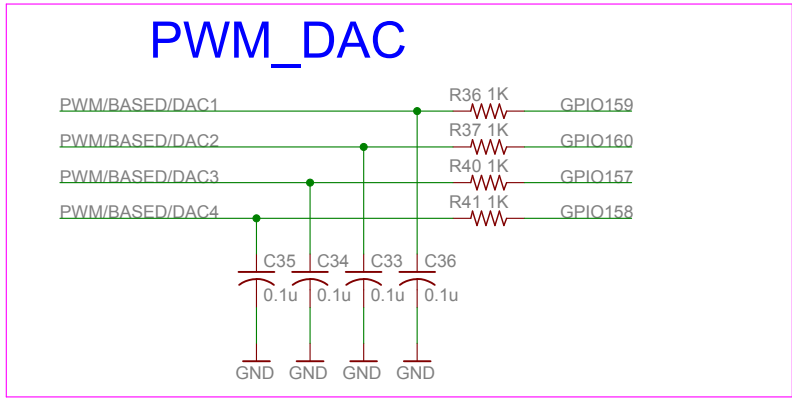
COMPANY:	Drawn	Checked	Approved
Texas Instruments Inc.	Roy		
TITLE: LAUNCHXL-F28379D			REU: 1.1
Design Number:	MCU002		
Document Number:	XDS100v2		
Date: ?????			
			Sheet: 2/10



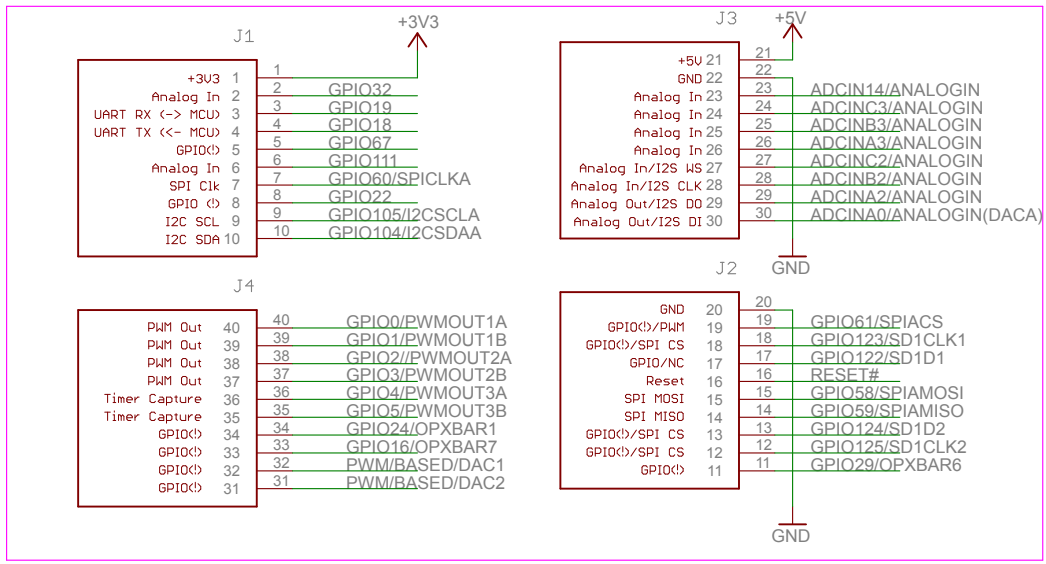
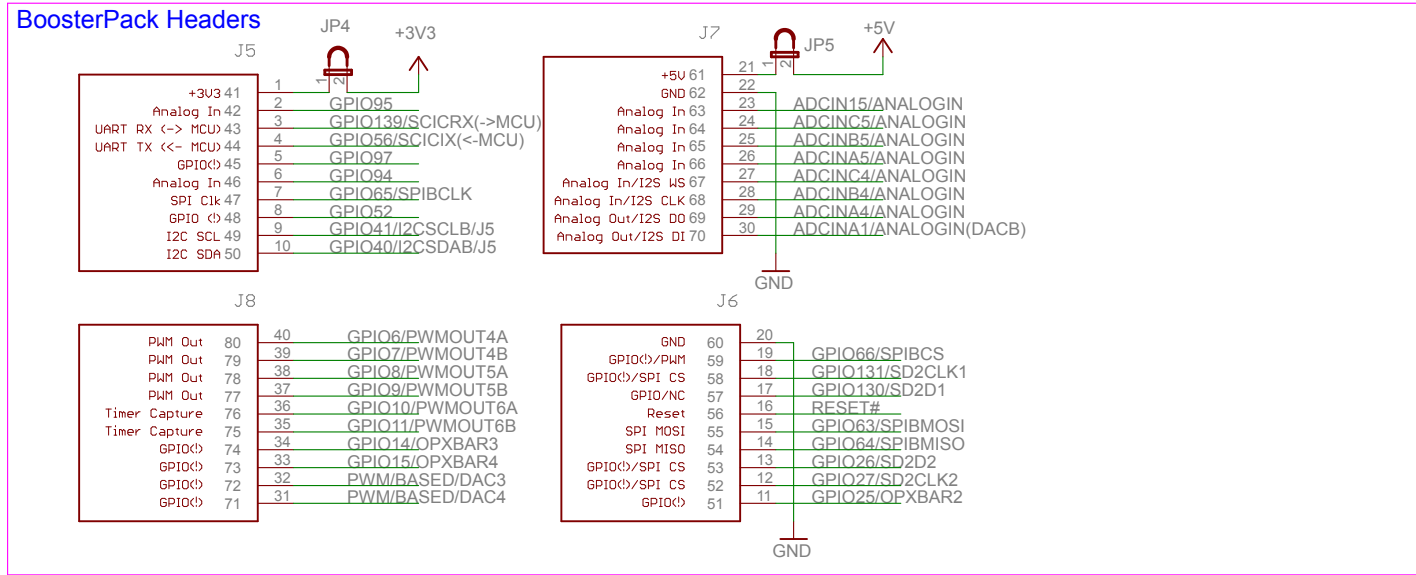
COMPANY: Texas Instruments Inc.	Drawn	Checked	Approved
	Roy		
TITLE: LAUNCHXL-F28379D		REU: 1.1	
Design Number: MCU002			
Document Number: F28379D Power			
Date: ?????	Sheet: 3/10		



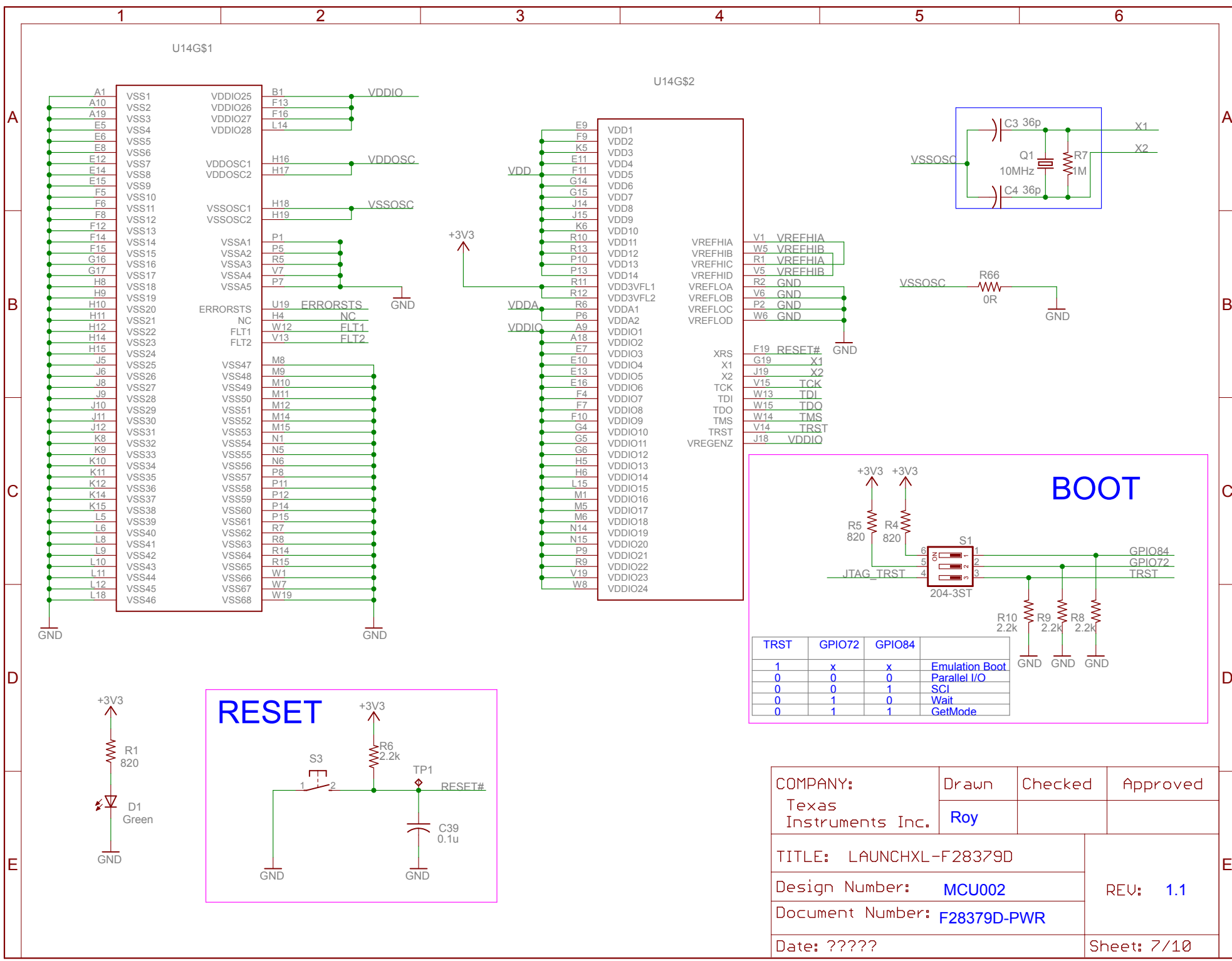
COMPANY: Texas Instruments Inc.	Drawn	Checked	Approved
	Roy		
TITLE: LAUNCHXL-F28379D		REU: 1.1	
Design Number:	MCU002		
Document Number:	ADCIND0/1/2/3/4/5		
Date: ?????			
			Sheet: 4/10



COMPANY: Texas Instruments Inc.	Drawn	Checked	Approved
	Roy		
TITLE: LAUNCHXL-F28379D		REV: 1.1	
Design Number: MCU002			
Document Number: PWM_DAC			
Date: ?????		Sheet: 5/10	

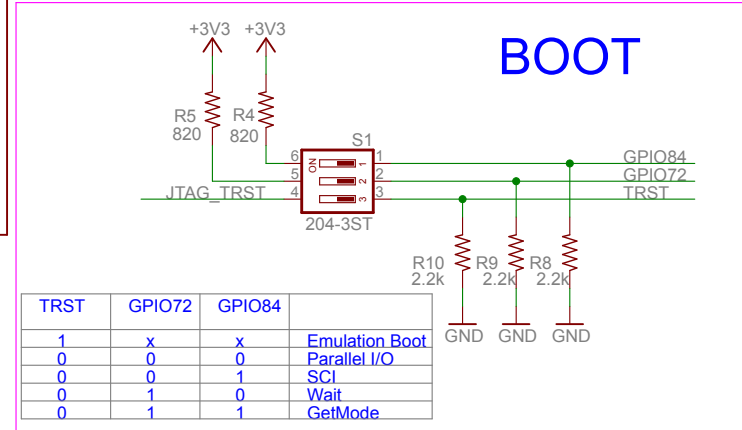
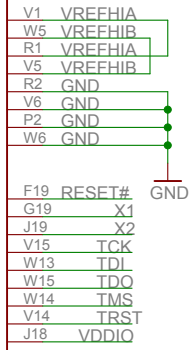
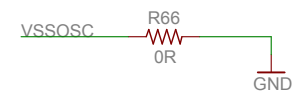
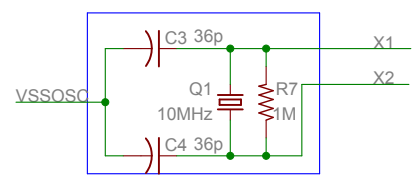
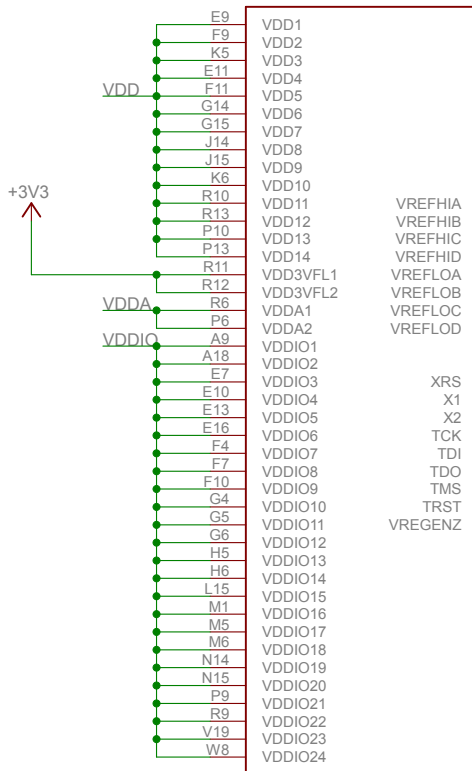
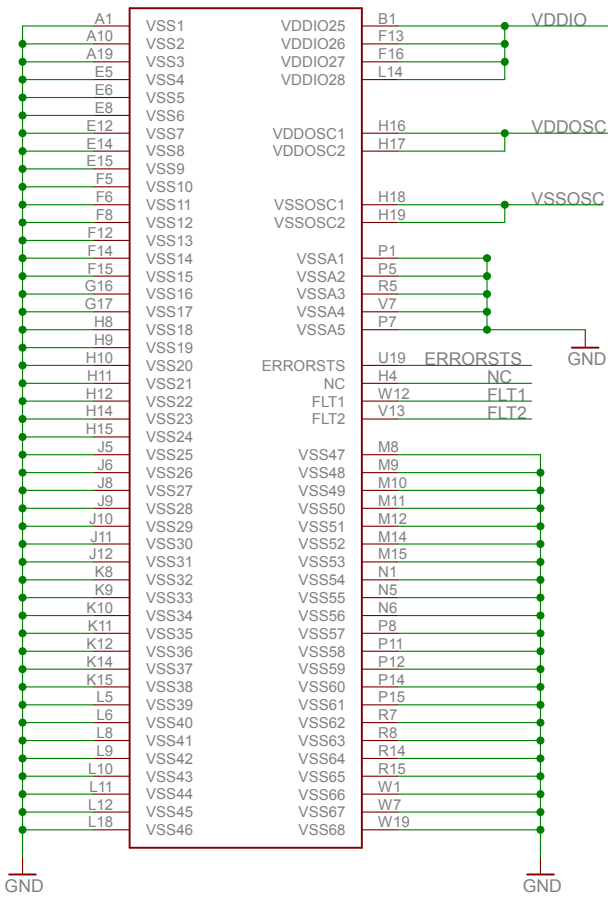


COMPANY:	Drawn	Checked	Approved
Texas Instruments Inc.	Roy		
TITLE: LAUNCHXL-F28379D			
Design Number:	MCU002	REU:	1.1
Document Number:	BoosterPack Headers		
Date: ?????	Sheet: 6/10		

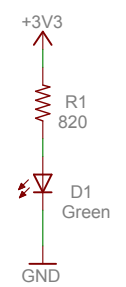
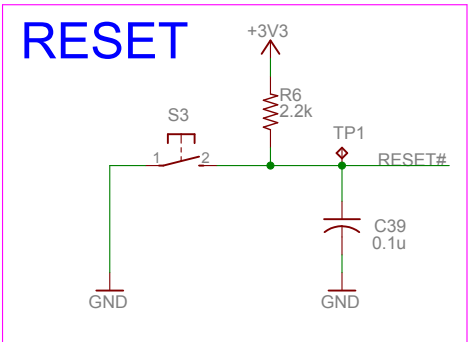


U14G\$1

U14G\$2



TRST	GPIO72	GPIO84	
1	x	x	Emulation Boot
0	0	0	Parallel I/O
0	0	1	SCI
0	1	0	Wait
0	1	1	GetMode



COMPANY: Texas Instruments Inc.	Drawn	Checked	Approved
	Roy		
TITLE: LAUNCHXL-F28379D		REV: 1.1	
Design Number: MCU002			
Document Number: F28379D-PWR			
Date: ?????	Sheet: 7/10		



U14G\$3

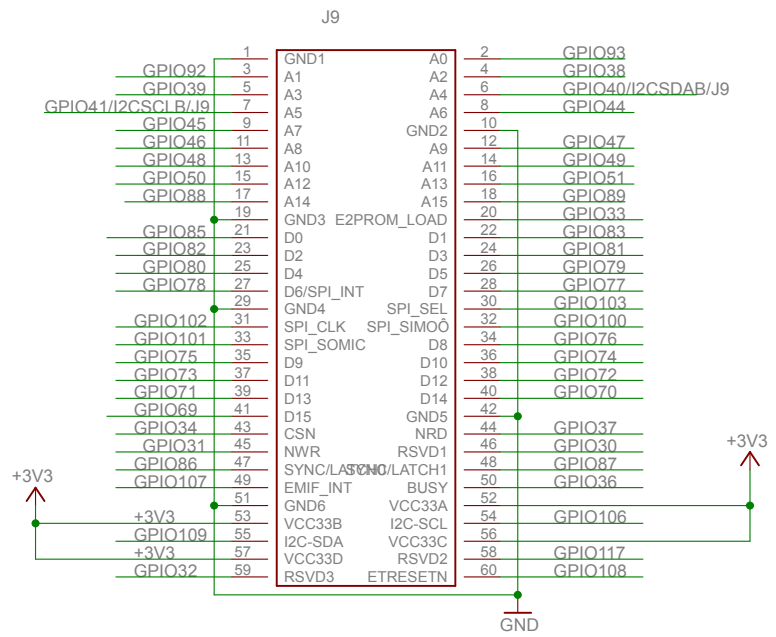
U18	GPIO135/SCITXDA/SD2_C1	GPIO52/EQEP1S/EM1A12/SPICLK/SD1_D1	P16	GPIO52
GPIO135	V18	GPIO53/EQEP11/EM1D31/EM2D15/SPISTEC/SD1_C1	P17	GPIO53
GPIO134	G18	GPIO54/SPISIMOA/EM1D30/EM2D14/EQEP2A/SCITXDB/SD1_D1	P18	GPIO54
GPIO133	W18	GPIO55/SPISOMIA/EM1D29/EM2D13/EQEP2B/SCIRXDB/SD1_C1	P19	GPIO55
GPIO132	U10	GPIO56/SPICLKA/EM1D28/EM2D12/EQEP2S/SCITXDC/SD2_D2	N16	GPIO56/SCICIX(<-MCU)
GPIO131/SDZCLK1	U10	GPIO57/SPISTEA/EM1D27/EM2D11/EQEP21/SCIRXDC/SD2_C2	N18	GPIO57
GPIO130/SD2D1	T10	GPIO58/MCLKRA/EM1D26/EM2D10/OUTPUTXBAR1/SPICLKB/SD2_D2/SPISIMOA1	N17	GPIO58/SPIAMOSI
GPIO129	W9	GPIO59/MFSRA/EM1D25/EM2D9/OUTPUTXBAR2/SPISTEB/SD2_C2/SPISOMIA1	M16	GPIO59/SPIAMISO
GPIO128	V9	GPIO60/MCLKRB/EM1D24/EM2D8/OUTPUTXBAR3/SPISIMOB/SD2_D3/SPICLKA1	M17	GPIO60/SPICLKA
GPIO127	U9	GPIO61/MFSRB/EM1D23/EM2D7/SPISOMIB/SD2_C3/SPISTEA1	L16	GPIO61/SPIACS
GPIO126	T9	GPIO62/SCIRXDC/EM1D22/EM2D6/EQEP3A/CANRXA/SD2_D1	J17	GPIO62
GPIO125/SDTCLK2	V8	GPIO63/SCITXDC/EM1D21/EM2D5/EQEP3B/CANTXA/SD2_C4/SPISIMOB1	J16	GPIO63/SPIBMOSI
GPIO124/SDTID2	U8	GPIO64/EM1D20/EM2D4/EQEP3S/SCIRXDA/SPISOMIB1	L17	GPIO64/SPIBMISO
GPIO123/SDTCLK1	T8	GPIO65/EM1D19/EM2D3/EQEP3I/SCITXDA/SPICLKB1	K16	GPIO65/SPIBCLK
GPIO122/SD1D1	W16	GPIO66/EM1D18/EM2D2/SDAB/SPISTEB1	K17	GPIO66/SPIBCS
GPIO121	U15	GPIO67/EM1D17/EM2D2	B19	GPIO67
GPIO120	T15	GPIO68/EM1D16/EM2D1	C18	GPIO68
GPIO119	T12	GPIO69/EM1D15/SCLB/SPISIMOC1	B18	GPIO69
GPIO118	U12	GPIO70/EM1D14/CANRXA/SCITXDB/SPISOMIC1	A17	GPIO70
GPIO117	W10	GPIO71/EM1D13/CANTXA/SCIRXDB/SPICLK1	B17	GPIO71
GPIO116	V12	GPIO72/EM1D12/CANTXB/SCITXDC/SPISTEC1	B16	GPIO72
GPIO115	N3	GPIO73/EM1D11/XCLKOUT/CANRXB/SCIRXDC1	A16	GPIO73
GPIO114	N4	GPIO74/EM1D1	C17	GPIO74
GPIO113	M3	GPIO75/EM1D1	D16	GPIO75
GPIO112	M4	GPIO76/EM1D8/SCITXDD1	C16	GPIO76
GPIO111	M2	GPIO77/EM1D7/SCIRXDD1	A15	GPIO77
GPIO110	N2	GPIO78/EM1D6/EQEP2A1	B15	GPIO78
GPIO109	L4	GPIO79/EM1D5/EQEP2B1	C15	GPIO79
GPIO108	L3	GPIO80/EM1D4/EQEP2S1	D15	GPIO80
GPIO107	L2	GPIO81/EM1D3/EQEP211	A14	GPIO81
GPIO106	J3	GPIO82/EM1D1	B14	GPIO82
GPIO105/I2CSCLA	J2	GPIO83/EM1D2	C14	GPIO83
GPIO104/I2CSDAA	J1	GPIO84/SCITXDA/MDXB/MDXA1	A11	GPIO84
GPIO103	H3	GPIO85/EM1D0/SCIRXDA/MDRB/MDRA1	B11	GPIO85
GPIO102	H2	GPIO86/EM1A13/EM1CAS/SCITXDB/MCLKXB/MCLKXA1	C11	GPIO86
GPIO101	H1	GPIO87/EM1A14/EM1RAS/SCIRXDB/MFSXB/MFSXA1	D11	GPIO87
GPIO100	G1	GPIO88/EM1A15/EM1DQM1	C6	GPIO88
GPIO99	F1	GPIO89/EM1A16/EM1DQM1/SCITXDC1	D6	GPIO89
GPIO98	A2	GPIO90/EM1A17/EM1DQM2/SCIRXDC1	A5	GPIO90
GPIO97	C3	GPIO91/EM1A18/EM1DQM3/SDAA1	B5	GPIO91
GPIO96	B3	GPIO92/EM1A19/EM1BA1/SCLA1	A4	GPIO92
GPIO95		GPIO93/EM1BA0/SCITXDD1	B4	GPIO93
		GPIO94/SCIRXDD1	A3	GPIO94

U14G\$5

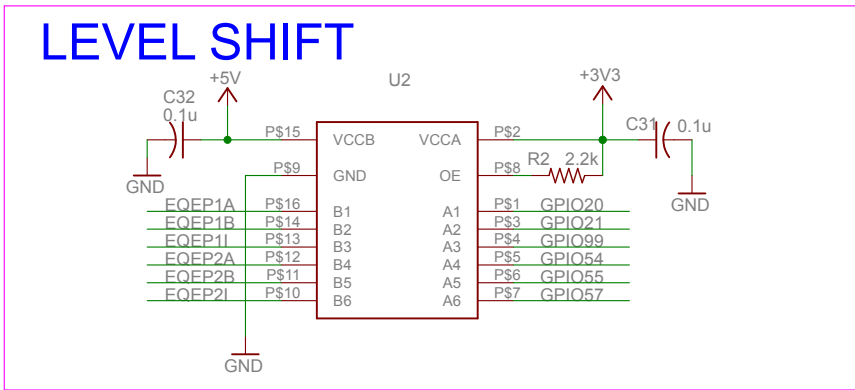
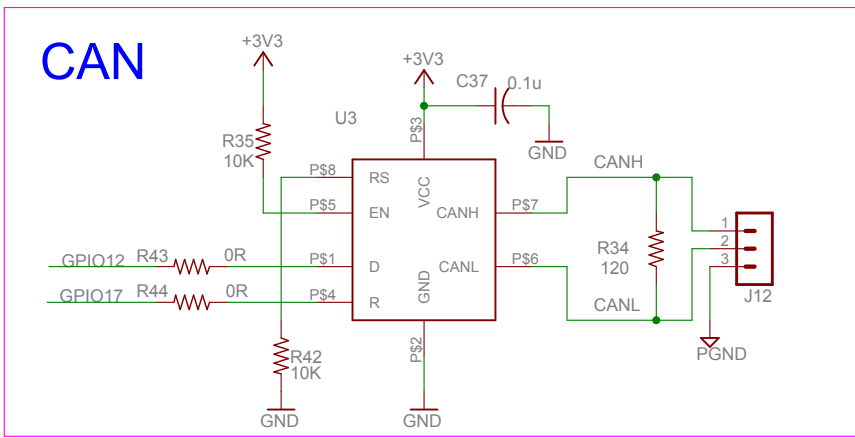
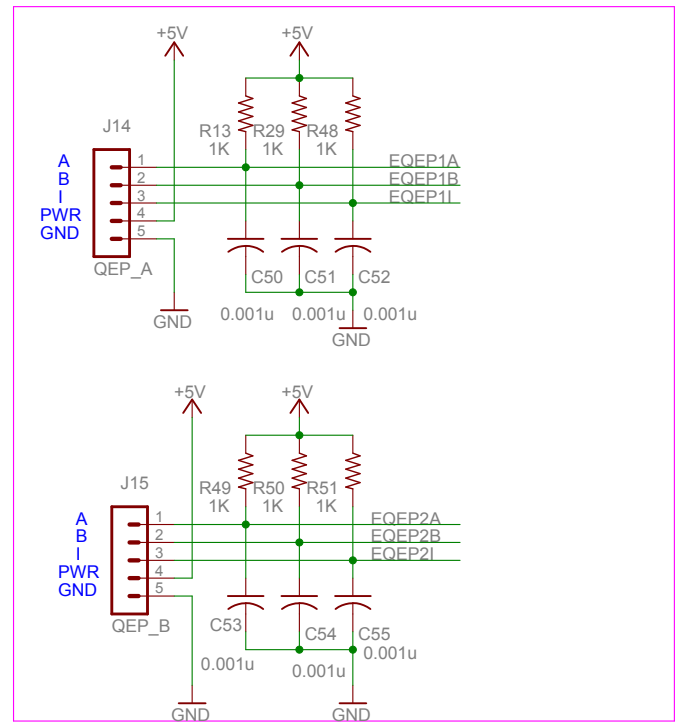
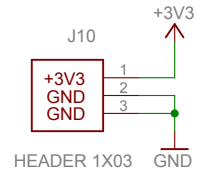
GPIO136	T17	GPIO136/SCIRXDA/SD2_D4	A12	GPIO153
GPIO137	T18	GPIO137/SCITXDB/SD2_C4	B12	GPIO154
GPIO138	T19	GPIO138/SCIRXDB	C12	GPIO155
GPIO139/SCICRX(<-MCU)	N19	GPIO139/SCIRXDC	D12	GPIO156
GPIO140	M19	GPIO140/SCITXDC	B10	GPIO157
GPIO141	M18	GPIO141/SCIRXDD	C10	GPIO158
GPIO142	L19	GPIO142/SCITXDD	D10	GPIO159
GPIO143	F18	GPIO143	B9	GPIO160
GPIO144	F17	GPIO144	C9	GPIO161
GPIO145	E17	GPIO145/EPWM1A	D9	GPIO162
GPIO146	D18	GPIO146/EPWM1B	A8	GPIO163
GPIO147	D17	GPIO147/EPWM2A	B8	GPIO164
GPIO148	D14	GPIO148/EPWM2B	C5	GPIO165
GPIO149	A13	GPIO149/EPWM3A	D5	GPIO166
GPIO150	B13	GPIO150/EPWM3B	C4	GPIO167
GPIO151	C13	GPIO151/EPWM4A	D4	GPIO168
GPIO152	D13	GPIO152/EPWM4B		

COMPANY:	Drawn	Checked	Approved
Texas Instruments Inc.	Roy		
TITLE: LAUNCHXL-F28379D		REU: 1.1	
Design Number: MCU002		Document Number: TMS320F28379D-IO1	
Date: ?????		Sheet: 8/10	

U14G\$4



COMPANY:	Drawn	Checked	Approved
Texas Instruments Inc.	Roy		
TITLE: LAUNCHXL-F28379D			REU: 1.1
Design Number: MCU002			
Document Number: TMS320F28379D-IO2			
Date: ?????			Sheet: 9/10



COMPANY: Texas Instruments Inc.	Drawn	Checked	Approved
	Roy		
TITLE: LAUNCHXL-F28379D		REV: 1.1	
Design Number: MCU002			
Document Number: EX_Headers			
Date: ?????			
			Sheet: 10/10